



www.imoticondrives.co.uk

Document number	Imoticon-ID700-024
Revision	0.0
Author	Gareth Lloyd
Product	Imoticon ID700

Title	Imoticon ID700 disabling the drive automatically at zero speed reference
--------------	--

Summary	This document gives information on how to set up the Imoticon ID700 disabling the drive automatically at zero speed reference
----------------	---

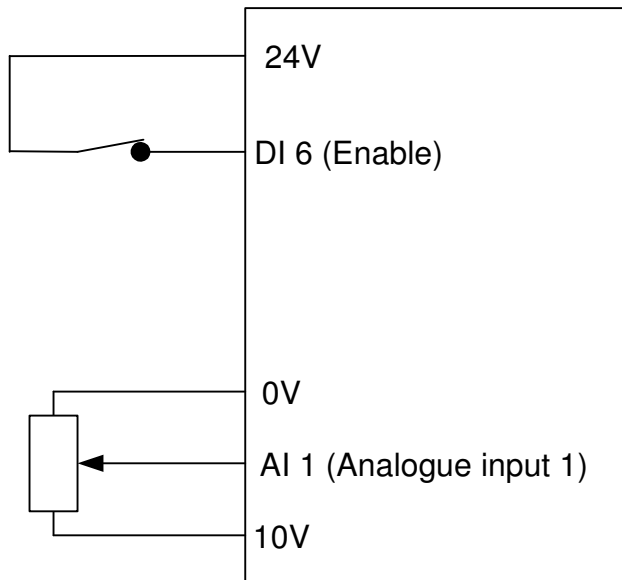
NOTE: Please read this document in conjunction with the Imoticon ID700 Easy Start Guide and Imoticon ID700 Advanced User Manual.

Overview

This document gives a set up for automatically disabling the drive when the speed reference on analogue input 1 is set to zero. This may be useful when the enable input signal to the drive remains active but the customer doesn't want the motor sitting at zero speed with the drive enabled with the potential of over-heating the motor.

This can be classed as putting the drive into 'sleep' mode or 'standby' mode.

Terminal Connections



Parameter Set-up

Parameter	Name	Setting	Description
P00.04	Control mode	1	Terminal control
P00.05	Reference source	3	Analogue input 1
P00.23	Extended parameter access	1	All parameter accessible
P16.01	Prog logic 1 source 1	17.32	From threshold 1 output indicator
P16.03	Prog logic 1 source 2	17.32	From threshold 1 output indicator
P16.07	Prog logic 1 output function	9.12	To enable terminal invert bit
P17.01	Threshold 1 source	8.17	From analogue input 1 level
P17.02	Threshold 1 threshold	1.0	Threshold 1 level set to 1%
P17.03	Threshold 1 hysteresis	0.3	Hysteresis around the threshold level

Operation

The enable switch will enable and disable the drive as standard.

If the potentiometer is set to 0, the drive will remain disabled. As the potentiometer is turned up, the drive will automatically enable and control the speed of the motor.

When running, if the potentiometer is turned all the way down, the drive will ramp down and automatically disable when the speed references reaches zero speed.

This is a way of automatically enabling and disabling the drive at zero speed.